

Bohemia
LED

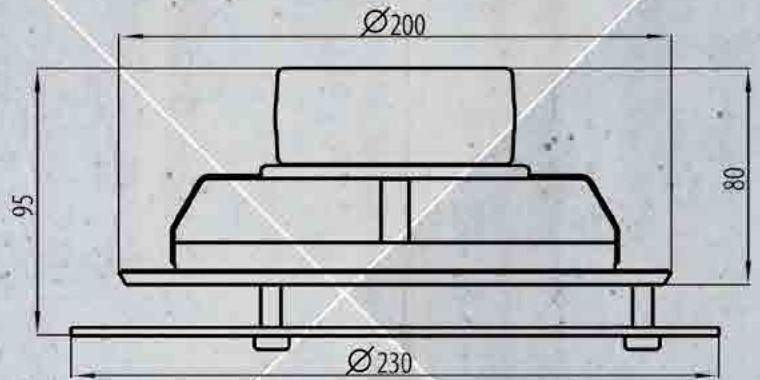
maia



maia

MAIA is a built-in light fixture with surface mounted diffuser which means original design with a nice light softening (diffusing) feature.

This fixture is designed as a built-in so suitable materials for mounting are drywalls, mineral ceilings, laminate boards, etc. The most liked type features neutral LEDs and matte diffuser that underline white color of a hallway or a stairwell. As an interesting alternative, warm white color with pyramid diffuser can be used which leads to similar atmosphere as with ordinary incandescent lightbulbs.



Variants and parameters of the light fixture Maia

type	built-in circle light fixture				
usage	luxurious hallways and stairwells (ceilings and drywalls)				
basic fixture color	white color				
protection	IP 44				
length/width/height (mm)	200/200/80				The best selling model
light color	neutral (4000K)	cold (6000K)	warm (3000K)	mix (3000-6000K)	warm (3000K)
diffuser	surfc. mount. matte scr.	surfc. mount. pyramid scr.	surfc. mount. semitranspr. scr.		surfc. mount. pyramid scr.
mounting	white color				white color
light output/power input	750lm/12W, AC 230V		2000lm/20W, AC 230V (neutral light color only)		750lm/12W, AC 230V

Choose one option from each row and **create your own light fixture** to your liking and needs.

Benefits of the light fixture Maia

- Low consumption of DT LED LIGHTS guarantees:
- better energy savings, up to 8-10x against light-bulbs and 1.5-2x against fluorescent lights
- fast return of investment in case of whole light replacement
- Long life thanks to correct cooling. LEDs lasts at least 50,000 hours thanks to original Czech cooling design of LEDs which means non-stop lights for almost six years!
- Fidelity in color reproduction
 - neutral white, Ra > 85,
 - warm white, Ra > 80,
 - cold white, Ra > 80,
 - cold and warm white combination, Ra > 80.
- Flicker free - doesn't cause eyestrain like some fluorescent lights
- Immediate start - DT LED LIGHTS will achieve full brightness in one second. They are very suitable to spaces, where lights are often turn on and off. Due to their properties, there is no reduction of lifespan in these conditions.
- Low temperature resistant - lights can be used in very low temperature conditions, up to -20 °C (-4 °F).