

Bohemia
LED

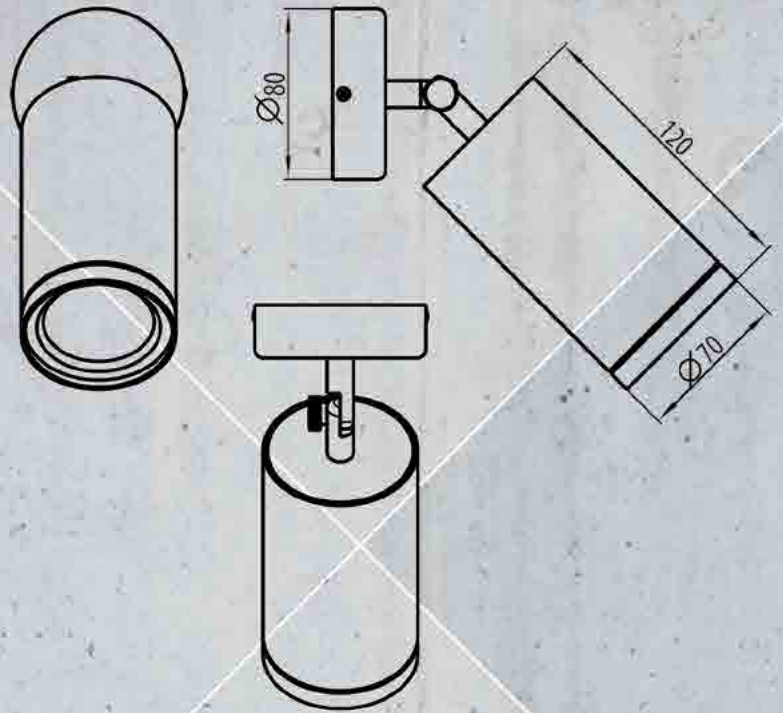


naos

naos

Light fixture NAOS finds its place in every modern apartment, where it can be used in a set of 2 - 3.

It can be also used as a stylish lighting of hallways, halls, receptions, hotel rooms and restrooms. The advantage of this fixture is an ability to tilt to any angle. Color selection is also very important. For best fidelity in color reproduction (reading for example), neutral LEDs are used, but for bedrooms warm white LEDs are recommended as this color has calming effects. The fixture is build from a brushed stainless steel with 70 mm diameter and tilting feature.



Variants and parameters of the light fixture Naos

type	tiltable circle light fixture				
usage	light for hallways, restaurants, living spaces and hotels				
basic fixture color	brushed stainless steel				
protection	IP 54				
length/width/height (mm)	70/70/120				The best selling model 70/70/120
light color	neutral (4000K)	cold (6000K)	warm (3000K)	mix (3000-6000K)	warm (3000K)
diffuser	semi-clear matte	matte	pyramid		pyramid
mounting	tiltable with joint				tiltable with joint
light output/power input	200lm/3W, AC 230V	600lm/7W, AC 230V	700lm/8W, AC 230V	850lm/10W, AC 230V	600lm/7W, AC 230V

Choose one option from each row and **create your own light fixture** to your liking and needs.

Benefits of the light fixture Naos

- Low consumption of DT LED LIGHTS guarantees:
 - better energy savings, up to 8-10x against light-bulbs and 1.5-2x against fluorescent lights
 - fast return of investment in case of whole light replacement
- Long life thanks to correct cooling. LEDs lasts at least 50,000 hours thanks to original Czech cooling design of LEDs which means non-stop lights for almost six years!
- Fidelity in color reproduction
 - neutral white, Ra > 85,
 - warm white, Ra > 80,
 - cold white, Ra > 80,
 - cold and warm white combination, Ra > 80.
- Flicker free - doesn't cause eyestrain like some fluorescent lights
- Immediate start - DT LED LIGHTS will achieve full brightness in one second. They are very suitable to spaces, where lights are often turn on and off. Due to their properties, there is no reduction of lifespan in these conditions.
- Low temperature resistant - lights can be used in very low temperature conditions, up to -20 °C (-4 °F).