

Bohemia
LED

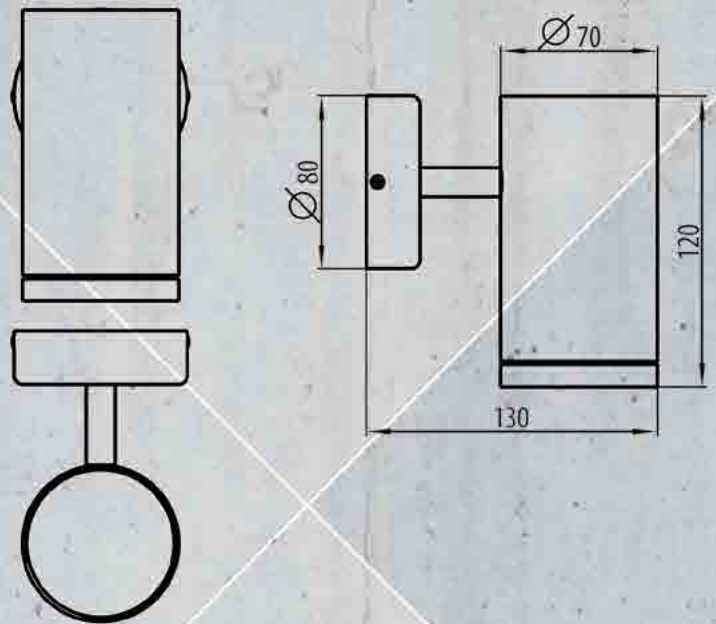
rana



rana

Stainless steel fixture RANA with side mounting has a diameter of 55 mm and it is designed for a lighting of an art pieces, halls, etc.

There are two versions of this fixture, one with light beam aiming down, but also there is also a version with two beams up and down for ceiling backlight. For best color reproduction, neutral color LEDs are recommended, but for incandescent lightbulb replacement warm white LEDs are used. Interesting alternative is a cold white LEDs which leads to higher concentration. For advanced customers we are offering MIX version, that contain both cold and warm colors.



Variants and parameters of the light fixture Rana

type	circle light fixture with side mount				The best selling model
usage	light for paintings and artworks				
basic fixture color	brushed stainless steel				
protection	IP 54				
length/width/height (mm)	70/70/120				70/70/120
light color	neutral (4000K)	cold (6000K)	warm (3000K)	mix (3000-6000K)	warm (3000K)
diffuser	semi-clear matte	matte	pyramid		pyramid
mounting	pipe from the side				pipe from the side
light output/power input	200lm/3W, AC 230V	600lm/7W, AC 230V	700lm/8W, AC 230V	850lm/10W, AC 230V	600lm/7W, AC 230V

Choose one option from each row and **create your own light fixture** to your liking and needs.

Benefits of the light fixture Rana

- Low consumption of DT LED LIGHTS guarantees:
- better energy savings, up to 8-10x against light-bulbs and 1.5-2x against fluorescent lights
- fast return of investment in case of whole light replacement
- Long life thanks to correct cooling. LEDs lasts at least 50,000 hours thanks to original Czech cooling design of LEDs which means non-stop lights for almost six years!
- Fidelity in color reproduction
 - neutral white, Ra > 85,
 - warm white, Ra > 80,
 - cold white, Ra > 80,
 - cold and warm white combination, Ra > 80.
- Flicker free - doesn't cause eyestrain like some fluorescent lights
- Immediate start - DT LED LIGHTS will achieve full brightness in one second. They are very suitable to spaces, where lights are often turn on and off. Due to their properties, there is no reduction of lifespan in these conditions.
- Low temperature resistant - lights can be used in very low temperature conditions, up to -20 °C (-4 °F).